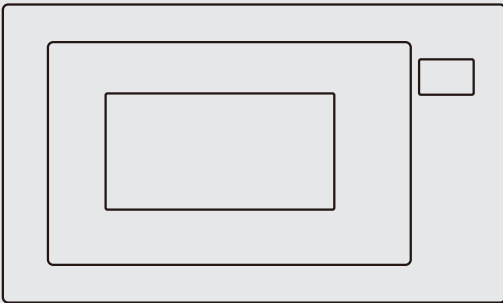


ROBAM



Operation Manual

WK25-M612B

Microwave Oven With Grill

CONTENTS

PRECAUTIONS TO AVOID POSSIBLE EXPOSURE TO EXCESSIVE MICROWAVE ENERGY	2
IMPORTANT SAFETY INSTRUCTIONS	3
TO REDUCE THE RISK OF INJURY TO PERSONS GROUNDING INSTALLATION	7
CLEANING	8
UTENSILS	8
SETTING UP YOUR OVEN	10
INSTALLATION AND CONNECTION	11
INSTALLATION INSTRUCTIONS	12
OPERATION INSTRUCTION	16
TROUBLE SHOOTING	23

PRECAUTIONS TO AVOID POSSIBLE EXPOSURE TO EXCESSIVE MICROWAVE ENERGY

- (a) Do not attempt to operate this oven with the door open since this can result in harmful exposure to microwave energy. It is important not to break or tamper with the safety interlocks.
- (b) Do not place any object between the oven front face and the door or allow soil or cleaner residue to accumulate on sealing surfaces.
- (c) **WARNING:** If the door or door seals are damaged, the oven must not be operated until it has been repaired by a competent person.

ADDENDUM

If the apparatus is not maintained in a good state of cleanliness, its surface could be degraded and affect the lifespan of the apparatus and lead to a dangerous situation.

Specifications

Model:	WK25-M612B
Rated Voltage:	240V~50Hz
Rated Input Power(Microwave):	1450W
Rated Output Power(Microwave):	900W
Rated Input Power(Grill):	1000W

IMPORTANT SAFETY INSTRUCTIONS

WARNING

To reduce the risk of fire, electric shock, injury to persons or exposure to excessive microwave oven energy when using your appliance, follow basic precautions, including the following:

1. Read and follow the specific: "PRECAUTIONS TO AVOID POSSIBLE EXPOSURE TO EXCESSIVE MICROWAVE ENERGY".
2. This appliance can be used by children aged from 8 years and above and persons with reduced physical, sensory or mental capabilities or lack of experience and knowledge if they have been given supervision or instruction concerning use of the appliance in a safe way and understand the hazards involved. Children shall not play with the appliance. Cleaning and user maintenance shall not be made by children unless they are older than 8 and supervised. Children less than 8 years of age shall be kept away unless continuously supervised.
3. Keep the appliance and its cord out of reach of children less than 8 years.
4. If the supply cord is damaged, it must be replaced by the manufacturer, its service agent or similarly qualified persons in order to avoid a hazard. (For appliance with type Y attachment)
5. **WARNING:** Ensure that the appliance is switched off before replacing the lamp to avoid the possibility of electric shock.
6. **WARNING:** It is hazardous for anyone other than a competent person to carry out any service or repair operation that involves the removal of a cover which gives protection against exposure to microwave energy.
7. **WARNING:** Liquids and other foods must not be heated in sealed containers since they are liable to explode.

IMPORTANT SAFETY INSTRUCTIONS

WARNING

8. When heating food in plastic or paper containers, keep an eye on the oven due to the possibility of ignition.
9. Only use utensils that are suitable for use in microwave ovens.
10. If smoke is emitted, switch off or unplug the appliance and keep the door closed in order to stifle any flames.
11. Microwave heating of beverages can result in delayed eruptive boiling, therefore care must be taken when handling the container.
12. The contents of feeding bottles and baby food jars shall be stirred or shaken and the temperature checked before consumption, in order to avoid burns.
13. Eggs in their shell and whole hard-boiled eggs should not be heated in microwave ovens since they may explode, even after microwave heating has ended.
14. The oven should be cleaned regularly and any food deposits removed.
15. Failure to maintain the oven in a clean condition could lead to deterioration of the surface that could adversely affect the life of the appliance and possibly result in a hazardous situation.
16. Only use the temperature probe recommended for this oven. (for ovens provided with a facility to use a temperature-sensing probe.)
17. The microwave oven must be operated with the decorative door open. (for ovens with a decorative door.)

IMPORTANT SAFETY INSTRUCTIONS

WARNING

18. This appliance is intended to be used in household and similar applications such as:

- staff kitchen areas in shops, offices and other working environments;
- by clients in hotels, motels and other residential type environments;
- farm houses;
- bed and breakfast type environments.

19. The microwave oven is intended for heating food and beverages. Drying of food or clothing and heating of warming pads, slippers, sponges, damp cloth and similar may lead to risk of injury, ignition or fire.

20. Metallic containers for food and beverages are not allowed during microwave cooking.

21. The appliance shall not be cleaned with a steam cleaner.

22. Care should be taken not to displace the turntable when removing containers from the appliance. (For fixed appliances and built-in appliances being used equal or higher than 900mm above the floor and having detachable turntables. But this is not applicable for appliances with horizontal bottom hinged door.)

23. The microwave oven is intended to be used built-in.

24. Steam cleaner is not to be used.

25. Surface of a storage drawer can get hot.

26. **WARNING:** The appliance and its accessible parts become hot during use. Care should be taken to avoid touching heating elements. Children less than 8 years of age shall be kept away unless continuously supervised.

IMPORTANT SAFETY INSTRUCTIONS

WARNING

27. During use the appliance becomes hot. Care should be taken to avoid touching heating elements inside the oven.
28. **WARNING:** Accessible parts may become hot during use. Young children should be kept away.
29. The appliance must not be installed behind a decorative door in order to avoid overheating. (This is not applicable for appliances with decorative door.)
30. **WARNING:** When the appliance is operated in the combination mode, children should only use the oven under adult supervision due to the temperatures generated.
31. Do not use harsh abrasive cleaners or sharp metal scrapers to clean the oven door glass since they can scratch the surface, which may result in shattering of the glass.

READ CAREFULLY AND KEEP FOR FUTURE REFERENCE

TO REDUCE THE RISK OF INJURY TO PERSONS GROUNDING INSTALLATION

DANGER

Electric Shock Hazard
Touching some of the internal components can cause serious personal injury or death. Do not disassemble this appliance.

WARNING

Electric Shock Hazard
Improper use of the grounding can result in electric shock. Do not plug into an outlet until appliance is properly installed and grounded.

This appliance must be grounded. In the event of an electrical short circuit, grounding reduces the risk of electric shock by providing an escape wire for the electric current. This appliance is equipped with a cord having a grounding wire with a grounding plug. The plug must be plugged into an outlet that is properly installed and grounded.

Consult a qualified electrician or serviceman if the grounding instructions are not completely understood or if doubt exists as to whether the appliance is properly grounded.

If it is necessary to use an extension cord, use only a 3-wire extension cord.

1. A short power-supply cord is provided to reduce the risks resulting from becoming entangled in or tripping over a longer cord.
2. If a long cord set or extension cord is used:
 - 1)The marked electrical rating of the cord set or extension cord should be at least as great as the electrical rating of the appliance.
 - 2)The extension cord must be a grounding-type 3-wire cord.
 - 3)The long cord should be arranged so that it will not drape over the counter top or tabletop where it can be pulled on by children or tripped over unintentionally.

CLEANING

Be sure to unplug the appliance from the power supply.

1. Clean the cavity of the oven after using with a slightly damp cloth.
2. Clean the accessories in the usual way in soapy water.
3. The door frame and seal and neighbouring parts must be cleaned carefully with a damp cloth when they are dirty.
4. Do not use harsh abrasive cleaners or sharp metal scrapers to clean the oven door glass since they can scratch the surface, which may result in shattering of the glass.
5. Cleaning Tip---For easier cleaning of the cavity walls that the food cooked can touch: Place half a lemon in a bowl, add 300ml (1/2 pint) water and heat on 100% microwave power for 10 minutes. Wipe the oven clean using a soft, dry cloth.

UTENSILS

CAUTION

Personal Injury Hazard

It is hazardous for anyone other than a competent person to carry out any service or repair operation that involves the removal of a cover which gives protection against exposure to microwave energy.

See the instructions on "Materials you can use in microwave oven or to be avoided in microwave oven." There may be certain non-metallic utensils that are not safe to use for microwaving. If in doubt, you can test the utensil in question following the procedure below.

Utensil Test:

1. Fill a microwave-safe container with 1 cup of cold water (250ml) along with the utensil in question.
2. Cook on maximum power for 1 minute.
3. Carefully feel the utensil. If the empty utensil is warm, do not use it for microwave cooking.
4. Do not exceed 1 minute cooking time.

UTENSILS

Materials you can use in microwave oven

Utensils	Remarks
Browning dish	Follow manufacturer's instructions. The bottom of browning dish must be at least 3/16 inch (5mm) above the turntable. Incorrect usage may cause the turntable to break.
Dinnerware	Microwave-safe only. Follow manufacturer's instructions. Do not use cracked or chipped dishes.
Glass jars	Always remove lid. Use only to heat food until just warm. Most glass jars are not heat resistant and may break.
Glassware	Heat-resistant oven glassware only. Make sure there is no metallic trim. Do not use cracked or chipped dishes.
Oven cooking bags	Follow manufacturer's instructions. Do not close with metal tie. Make slits to allow steam to escape.
Paper plates and cups	Use for short-term cooking/warming only. Do not leave oven unattended while cooking.
Paper towels	Use to cover food for reheating and absorbing fat. Use with supervision for a short-term cooking only.
Parchment paper	Use as a cover to prevent splattering or a wrap for steaming.
Plastic	Microwave-safe only. Follow the manufacturer's instructions. Should be labeled "Microwave Safe". Some plastic containers soften, as the food inside gets hot. "Boiling bags" and tightly closed plastic bags should be slit, pierced or vented as directed by package.
Plastic wrap	Microwave-safe only. Use to cover food during cooking to retain moisture. Do not allow plastic wrap to touch food.
Thermometers	Microwave-safe only (meat and candy thermometers).
Wax paper	Use as a cover to prevent splattering and retain moisture.

Materials to be avoided in microwave oven

Utensils	Remarks
Aluminum tray	May cause arcing. Transfer food into microwave-safe dish.
Food carton with metal handle	May cause arcing. Transfer food into microwave-safe dish.
Metal or metal-trimmed utensils	Metal shields the food from microwave energy. Metal trim may cause arcing.
Metal twist ties	May cause arcing and could cause a fire in the oven.
Paper bags	May cause a fire in the oven.
Plastic foam	Plastic foam may melt or contaminate the liquid inside when exposed to high temperature.
Wood	Wood will dry out when used in the microwave oven and may split or crack.

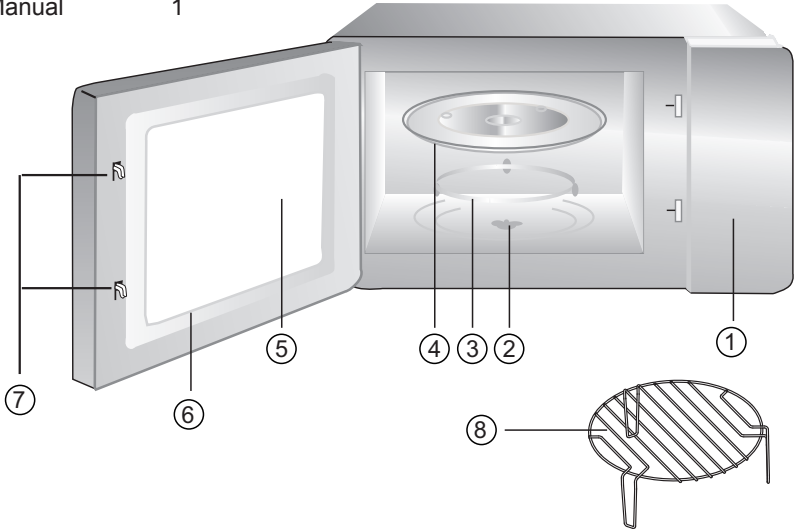
SETTING UP YOUR OVEN

Names of Oven Parts and Accessories

Remove the oven and all materials from the carton and oven cavity.

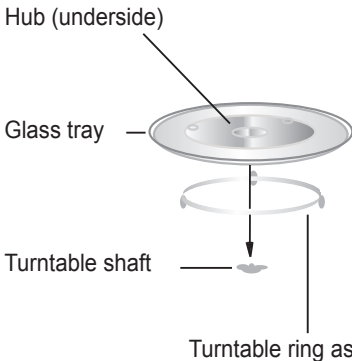
Your oven comes with the following accessories:

- Glass tray 1
- Turntable ring assembly 1
- Instruction Manual 1



- 1. Control panel 2. Turntable shaft 3. Turntable ring assembly
- 4. Glass tray 5. Observation window 6. Door assembly
- 7. Safety interlock system 8. Grill Rack(Can not be used in microwave function and must be placed on the glass tray)

TURNTABLE INSTALLATION



- a. Never place the glass tray upside down. The glass tray should never be restricted.
- b. Both glass tray and turntable ring assembly must always be used during cooking.
- c. All food and containers of food are always placed on the glass tray for cooking.
- d. If glass tray or turntable ring assembly cracks or breaks, contact your nearest authorized service center.

INSTALLATION AND CONNECTION

- 1.This appliance is only intended for domestic use.
- 2.This oven is intended for built-in use only. It is not intended for counter-top use or for use inside a cupboard.
3. Please observe the special installation instructions.
- 4.The appliance can be installed in a 60cm wide wallmounted cupboard.
- 5.The appliance is fitted with a plug and must only be connected to a properly installed earthed socket.
- 6.The mains voltage must correspond to the voltage specified on the rating plate.
- 7.The socket must be installed and connecting cable must only be replaced by a qualified electrician. If the plug is no longer to accessible following installation, an all-pole disconnecting device must be present on the installation side with a contact gap of at least 3mm.
- 8.Adapters, multi-way strips and extension leads must not be used. Overloading can result in a risk of fire.

**The accessible surface may
be hot during operation.**



INSTALLATION INSTRUCTIONS

Please Read the Manual Carefully Before Installation

Please note

Electrical connection

The oven is fitted with a plug and must only be connected to a properly installed earthed socket. The socket must only be installed and the connecting cable must only be replaced by a qualified electrician, and in accordance with the appropriate regulations.

If the plug is no longer accessible following installation, an all-pole isolating switch must be present on the installation side with a contact gap of at least 3 mm.

The fitted cabinet must not have a back wall behind the appliance.

A gap must be maintained between the wall and the base of the unit above. Specific gap size could be referenced by the diagrams.

Minimum installation height: 85 cm.


Do not cover ventilation slots and suction holes.

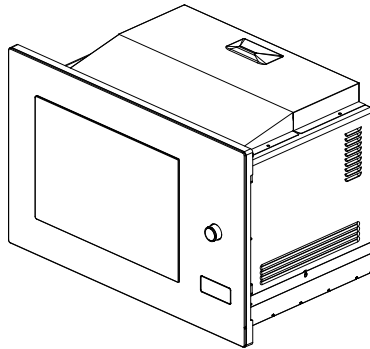
Note:

Do not trap or bend the power cable.

 Screw

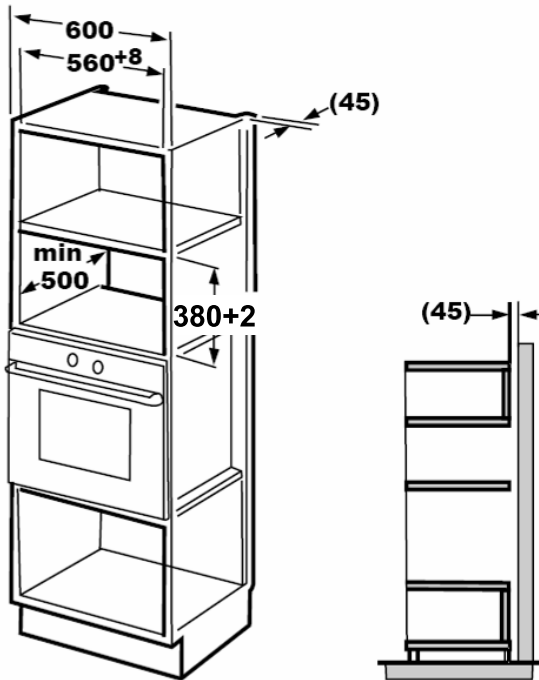
 Mounting Plate

 Trim-kit plastic cover



INSTALLATION INSTRUCTIONS

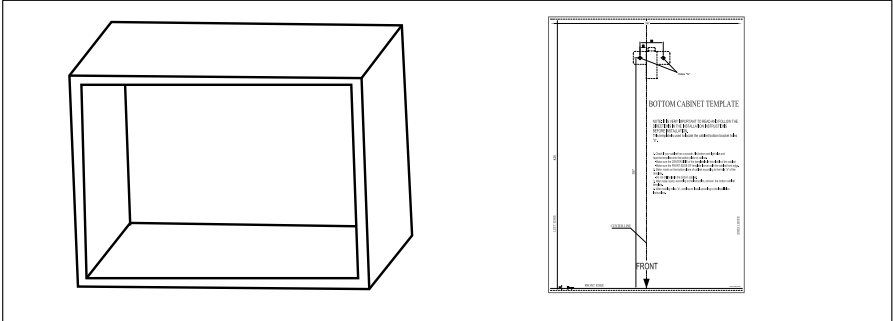
A. Built-in furniture



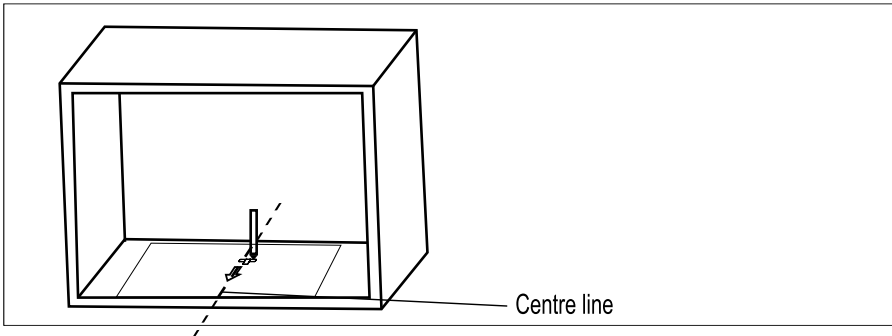
INSTALLATION INSTRUCTIONS

B.Prepare the cabinet

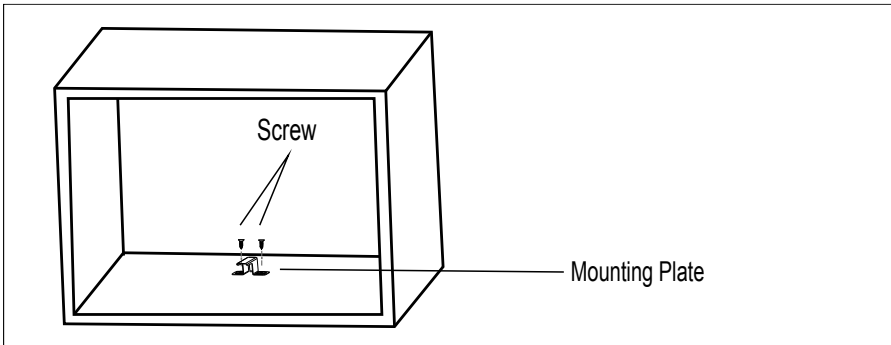
1. Read the instruction on the **BOTTOM CABINET TEMPLATE** , put the template on the bottom plane of cabinet.



2. Make the marks on the bottom plane of cabinet according to marks "a" of the template



3. Remove the bottom cabinet template and fix the mounting plate with screw.

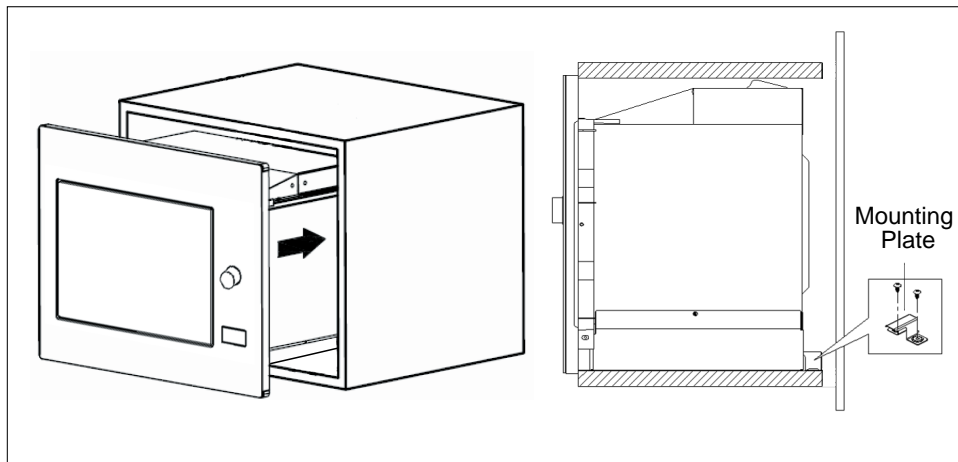


INSTALLATION INSTRUCTIONS

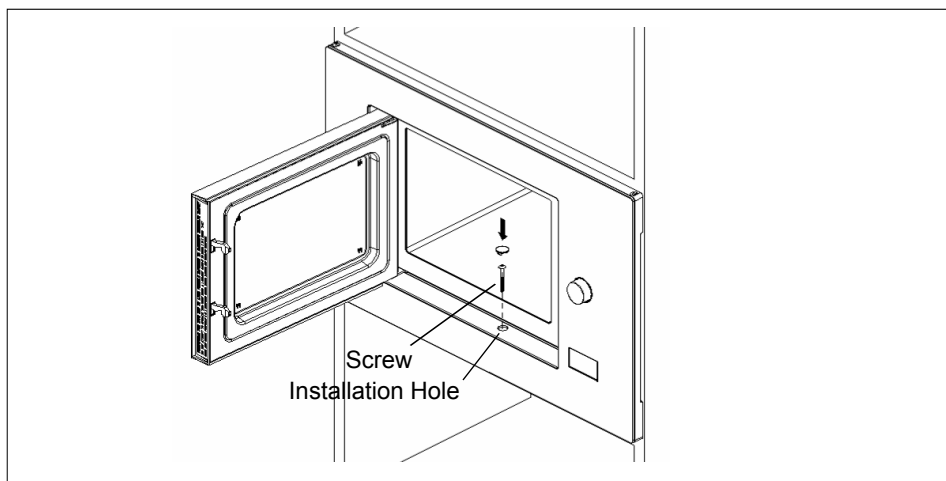
C. Install the oven

4. Install the oven to the cabinet

- Make sure the back of the oven is locked by mounting plate .
- Do not trap or kink the power cord.



- #### 5. Open the door, fix the oven to the cabinet with Screw , at the installation hole.
- Then fix the Trim-kit plastic cover to the installation hole.







OPERATION INSTRUCTION

This microwave oven uses modern electronic control to adjust cooking parameters to meet your needs better for cooking.

1. Clock Setting





When the microwave oven is electrified, the oven will display "0:00", buzzer will ring once.

- ① Press " Kitchen Timer/Clock " twice, the hour figure flash;
- ② Press "  " or "  " to adjust the hour figures, the input time should be within 0--23.
- ③ Press " Kitchen Timer/Clock ", the minute figures will flash.
- ④ Turn "  " or "  " to adjust the minute figures, the input time should be within 0--59.
- ⑤ Press " Kitchen Timer/Clock " to finish clock setting. ":" will flash,
The clock setting has been finished.

Note: ① If the clock is not set, it would not function when powered.

- ② During the process of clock setting, if you press " STOP/Clear", the oven will go back to the previous status automatically.

2. Microwave Cooking

- ① Press the " Micro./Grill/Combi. " key once, and "P100" will display.
- ② Press " Micro./Grill/Combi. " repeatedly or press "  " and "  " to select the microwave power from 100% to 10%. "P100", "P80", "P50", "P30", "P10" will display in order.
- ③ Press "START/+30s/Confirm" to confirm.
- ④ Press "  " or "  " to adjust the cooking time.
(The time setting should be 0:05- 95:00.)
- ⑤ Press " START/+30s/Confirm" to start cooking.

NOTE: the step quantities for the adjustment time of the coding switch are as follow:





- 0---1 min : 5 seconds
- 1---5 min : 10 seconds
- 5---10 min : 30 seconds
- 10---30 min : 1 minute
- 30---95 min : 5 minutes

Microwave Power Chart

Microwave Power	100%	80%	50%	30%	10%
Display	P100	P80	P50	P30	P10

OPERATION INSTRUCTION

3. Grill or Combi. Cooking



Press " Micro./Grill/Combi. " once the screen will display "P100", and press " Micro./Grill/Combi. " repeatedly or press the "  " or "  " to choose the power you want, and "G","C-1" or "C-2" will display. Then press " START/+30s/Confirm" to confirm, and press "  " or "  " to set cooking time from 0:05 to 95:00. Press "START/+30s/Confirm" again to start cooking.

Example: If you want to use 55% microwave power and 45% grill power(C-1) to cook for 10 minutes, you can operate the oven as the following steps.

- ① Press "Micro./Grill/Combi. " once, the screen displays "P100".

- ② Continue to press " Micro./Grill/Combi. " until the screen displays "C-1".

- ③ Press "START/+30s/Confirm " to confirm.

- ④ Press "  " or "  " to adjust the cooking time until the oven displays "10:00".



- ⑤ Press "START/+30s/Confirm" to start cooking.

Combination Power instructions:

Program	Display	Microwave Power	Grill Power
Grill	G	0%	100%
Combi.1	C-1	55%	45%
Combi.2	C-2	36%	64%



Note:If half the grill time passes, the oven sounds twice, and this is normal. In order to have a better effect of grilling food, you should turn the food over, close the door, and then press" START/+30s/Confirm" to continue cooking. If no operation, the oven will continue working.

4. Defrost By Weight



- ① Press " Weight/Time Defrost " once, the screen will display "dEF1".
- ② Press "  " or "  " to select the food weight. The range of weight is 100-2000g.
- ③ Press "START/+30s/Confirm" key to start defrosting.

OPERATION INSTRUCTION




5. Defrost By Time

- ① Press "Weight/Time Defrost " twice, the screen will display "dEF2".
- ② Press "  " or "  " to select the cooking time. The maximum time is 95 minutes.
- ③ Press "START/+30s/Confirm" key to start defrosting.

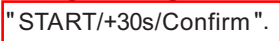

6. Kitchen Timer

- ① Press "Kitchen Timer/Clock " once, the screen will display 00:00.
- ② Press "  " or "  " to enter the correct timer.
(The maximum cooking time is 95 minutes)
- ③ Press " START/+30s/Confirm " to confirm setting.
- ④ When the kitchen time is reached, timer indicator will go out. The buzzer will ring 5 times.
If the clock has been set(24-hour system), the screen will display the current time.
Note: The kitchen Time is different from 24-hour system. Kitchen Timer is a timer.

7. Auto Menu

- ① In waiting state, press "  " to choose the menu from "A1" to "A8".
- ② Press "START/+30s/Confirm" to confirm the menu you choose.
- ③ Press "  " or "  " to choose the food weight.
- ④ Press "START/+30s/Confirm" to start cooking.

8. Speedy Cooking

- ① In waiting state, press " START/+30s/Confirm" key to cook with 100% power level for 30 seconds. Each press on the same key can increase 30 seconds. The maximum cooking time is 95 minutes.
- ② During the microwave, grill, combination cooking and the defrost by time process, press " START/+30s/Confirm " to increase the cooking time.
- ③ Under the states of auto menu, multi-stage cooking and defrost by weight, cooking time cannot be increased by pressing "".
- ④ In waiting state, press "  " to choose the cooking time. Then press "START/+30s/Confirm" to start microwave cooking with 100% power lever. This can be set as the first stage of multi-stage cooking.

OPERATION INSTRUCTION

The menu chart:

Menu	Weight	Display
A1 Pizza	200 g	200
	400 g	400
A2 Meat	250 g	250
	350 g	350
	450 g	450
A3 Vegetable	200 g	200
	300 g	300
	400 g	400
A4 Pasta	50 g (with 450 g cold water)	50
	100 g (with 800 g cold water)	100
A5 Potato	200 g	200
	400 g	400
	600 g	600
A6 Fish	250 g	250
	350 g	350
	450 g	450
A7 Beverage	1 cup (120 ml)	1
	2 cups (240 ml)	2
	3 cups (360 ml)	3
A8 Popcorn	50 g	50
	100 g	100







OPERATION INSTRUCTION

9. Multi-Stage Cooking

Two stages can be maximumly set. If one stages is defrosting, it should be put in the first stage. The buzzer will ring once after each stage and the next stage will begin.

Note: Auto menu cannot be set as one of the multi-stage.

Example: if you want to defrost the food for 5 minutes, then to cook with 80% microwave power for 7 minutes. The steps are as following:

- ① Press " Weight/Time Defrost " twice, the screen displays "dEF2".
- ② Press "  " or "  " to adjust the defrost time of 5 minutes;
- ③ Press " Micro./Grill/Combi. " once, the screen will display "P100".
- ④ Press "  " or "  " to choose microwave power till "P80" displays;
- ⑤ Press " START/+30s/Confirm " to confirm, the screen will display "P80".
- ⑥ Press "  " or "  " to adjust the cooking time of 7 minutes;
- ⑦ Press " START/+30s/Confirm " to start cooking.

10. Lock Function for Children

Lock: In waiting state, press " STOP/Clear " for 3 seconds, there will be a long beep denoting entering the children-lock state and the current time will display if the time has been set, otherwise, the screen will display "0:00".

Lock quitting: In locked state, press "STOP/Clear " for 3 seconds, there will be a long "beep" denoting that the lock is released.

11. Inquiring Function

- ① In cooking states of microwave, grill and combination. Press " Micro./Grill/Combi. " the current power will be displayed for 2-3 seconds.
- ② During cooking state, press " Kitchen Timer/Clock " to check the current time.

OPERATION INSTRUCTION


12. Specification

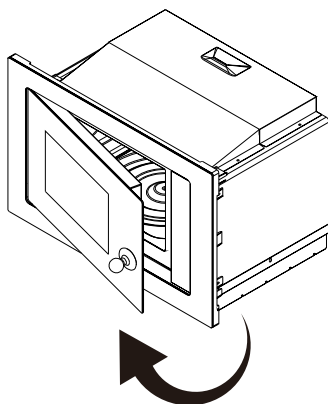
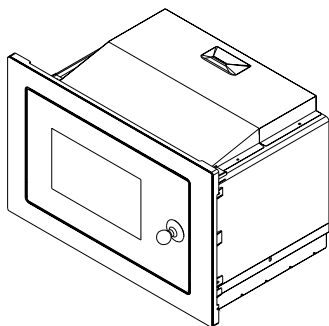
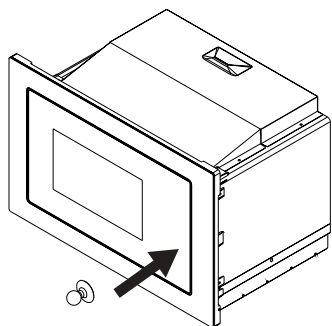
- ① " START/+30s/Confirm " must be pressed to continue cooking if the door is opened during cooking;
- ② Once the cooking programme has been set , " START/+30s/Confirm " is not pressed in 5 minutes. The current time will be displayed. The setting will be cancelled.
- ③ The buzzer sounds once by efficient press, inefficient press will be no response.

13. The oven lamp

After cooking, the oven lamp will turn off if the door is closed. If the door is opened over 10 minutes, the lamp will off automatically.

14. Open the oven door

Press "  " button, the oven door will be opened. If the button does not work, please open the door by the sucker. Refer to the following figures.



TROUBLE SHOOTING

Normal	
Microwave oven interfering TV reception	Radio and TV reception may be interfered when microwave oven operating. It is similar to the interference of small electrical appliances, like mixer, vacuum cleaner, and electric fan. It is normal.
Dim oven light	In low power microwave cooking, oven light may become dim. It is normal.
Steam accumulating on door, hot air out of vents	In cooking, steam may come out of food. Most will get out from vents. But some may accumulate on cool place like oven door. It is normal.
Oven started accidentally with no food in.	It is forbidden to run the unit without any food inside. It is very dangerous.

Trouble	Possible Cause	Remedy
Oven can not be started.	(1) Power cord not plugged in tightly.	Unplug. Then plug again after 10 seconds.
	(2) Fuse blowing or circuit breaker works.	Replace fuse or reset circuit breaker (repaired by professional personnel of our company)
	(3) Trouble with outlet.	Test outlet with other electrical appliances.
Oven does not heat.	(4) Door not closed well.	Close door well.

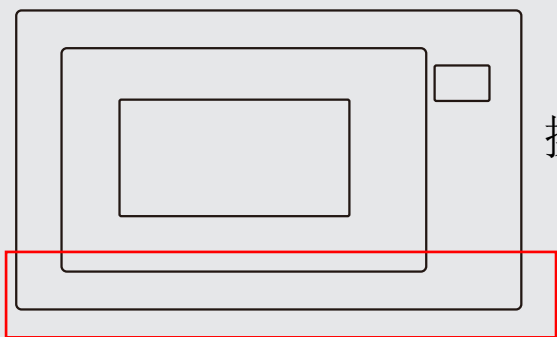


According to Waste of Electrical and Electronic Equipment (WEEE) directive, WEEE should be separately collected and treated. If at any time in future you need to dispose of this product please do NOT dispose of this product with household waste. Please send this product to WEEE collecting points where available.

Edition:A/1

ROBAM

ROBAM



操作手册

WK25-M612B
带烧烤功能的微波炉

目录

避免暴露在过量微波能量下的注意事项	2
重要安全说明警告	3
减少接地装置对人员造成伤害的风险	7
清洁	8
器皿	8
微波炉安装	11
转盘安装	12
安装与电源连接	12
安装说明书	13
使用说明	17
故障排除	24

避免暴露在过量微波能量下的注意事项

- (a) 请勿在打开的情况下操作烤箱，因为这可能导致人体暴露在有害的微波能量中。请勿破坏或改动安全联锁装置。
- (b) 请勿在微波炉正面和门之间放置任何物体，封接面上不得留有污垢或清洁剂残留。
- (c) 警告：当炉门或门封损坏时，未经专业人士的修理，切勿使用微波炉。

附录

如果设备无法保持清洁，则其表面可能会出现老化，这将影响设备的使用寿命，同时还可能引发危险事故。

规格

型号：	WK25-M612B
额定电压：	240V~50Hz
额定输入功率（微波）：	1450W
额定输出功率（微波）：	900W
额定输入功率（烧烤）：	1000W

重要安全说明警告

为减少使用微波炉时发生火灾、触电、人身伤害或暴露于过量微波能量的风险，应遵循以下基本预防措施：

1. 阅读并遵循具体的：“避免暴露在过量微波能量下的注意事项”。
2. 本产品不可由 8 岁以下的儿童、或身体、感官或智力受损、或缺乏相关经验与知识之人士使用，除非有监护人的看管或指导，以确保其能够安全使用本产品，并了解其中的危险。儿童不得玩弄本产品。儿童不得进行清洁或执行用户维护操作，除非是 8 岁以上儿童且在监督下进行操作。除非有人持续监督，不然 8 岁以下的儿童不得靠近。
3. 应妥善放置本产品及其电线，防止被未满 8 岁的儿童触及。
4. 若电源线受损，必须由制造商及其服务代理或类似有资格的人员予以更换，避免发生危险（适用于带有 Y 型附件的设备）。
5. 警告：更换灯具前，请确保设备已关掉，以免触电。
6. 警告：任何非专业人士擅自进行的任何维修或修理操作，均存在极大的危险，包括拆下防止微波能量泄露的防护盖。
7. 警告：切勿将液体及其他食物放在密封容器内进行加热，因为该操作极易引发爆炸。

8. 当使用塑料或纸质容器来加热食物时，需多加注意微波炉内的情况，防止出现起火。
9. 仅可使用微波炉适用的器皿。
10. 如果观察到炉内冒烟，请关闭本设备，或拔下电插头。保持炉门紧闭，以使内部火焰熄灭。
11. 在加热饮料时，微波能量会造成延迟喷发沸腾，因此务必要小心拿取盛放容器。
12. 奶瓶和婴儿食品罐内的食物在食用前应搅拌或摇晃并检查温度，以免烫伤。
13. 请勿将带壳鸡蛋和全熟蛋放在微波炉中加热，这可能会引起爆炸，即使在微波加热结束后也会存在这一危险。
14. 应对微波炉定期清洁，祛除残存的食物残渣。
15. 若微波炉无法保持清洁，则其表面可能会出现老化，这将极大地缩短本设备的使用寿命，同时还可能引发危险事故。
16. 仅使用推荐用于此微波炉的温度探头。(适用于配有设施，可以使用温度感应探头的微波炉。)
17. 使用微波炉时，装饰门必须保持打开状态。(对于带有装饰门的型号。)
18. 本产品为家用型。适用于：
 - 商店、办公室等其他工作环境中的员工厨房区域；
 - 酒店、汽车旅馆等居住类环境中的旅客；

- 农舍；
 - 家庭旅馆类环境。
19. 本产品可对食物和饮料进行加热。切勿使用微波炉进行食物或衣物的烘干、以及对加热垫、拖鞋、海绵、湿布和其他类似物品的加热操作，防止引发人身伤害、引燃或起火事故。
 20. 在微波烹饪时，禁止使用金属容器盛装食物和饮料。
 21. 不得使用蒸汽清洗机清洁本产品。
 22. 从本产品上拆卸容器时，应注意不得移动转盘。（适用于离地面 900mm 或以上的固定器具和嵌入式器具，并具有独立的转盘。但不适用于带有水平底铰链门的电器。）
 23. 本产品为嵌入式产品。
 24. 切勿使用蒸汽清洗机。
 25. 储物抽屉的表面会发烫。
 26. 警告：使用过程中，本产品及其可触及的零部件会发烫。应注意避免接触加热元件。除非有人持续监督，不然 8 岁以下的儿童不得靠近。
 27. 使用过程中，本产品会发烫。应注意避免接触微波炉内加热元件。
 28. 警告：使用过程中，可触及的零部件可能会发烫。切勿使儿童靠近。
 29. 本产品不得安装在装饰门后，以免过热。（不适用于带有装饰门的电器。）

30. 警告：产品在组合模式下使用时，温度升高，儿童只可在成人的监督下使用。
31. 切勿使用粗糙的擦洗用具或尖锐的金属刮刀来清洁微波炉的炉门，防止表面被刮伤，造成玻璃损坏。

请仔细阅读，并妥善保存，留作日后参考

减少接地装置对人员造成伤害的风险

危险

触电危险

触碰某些内部元件会造成严重的人身伤害或死亡。请勿拆卸该微波炉。

警告

触电危险

接地不当可能会导致触电。在设备正确安装和接地之前，不要将插头插入插座。

微波炉必须接地。在发生电线短路时，接地可以为电流提供逃逸线，从而降低触电的风险。

微波炉配备有带接地插头的接地线的接线。插头必须插入正确安装并接地的插座。

如果不完全理解接地说明或对设备是否正确接地存在疑

问，请咨询具有作业资格的电工或维修人员。

如果需要使用延长线，则只能使用 3 线延长线。

1. 本设备提供短电源线，以减少被较长的电源线缠住或绊倒而导致的风险。
2. 如果使用长接线组或延长线：
 - 1) 接线组或延长线的标记电额定值应不小于设备的电额定值。
 - 2) 延长线必须是接地型三线电线。
 - 3) 电线过长须进行整理，避免悬垂在台面或桌面上，以免被儿童拉动或无意中绊倒。

清洁

确保拔掉设备电源。

1. 使用后请用湿抹布清洁炉腔。
2. 使用肥皂水常规清洗附件。
3. 当门框和密封条及邻近零件变脏时，须用湿布仔细清洁。
4. 切勿使用粗糙的擦洗用具或尖锐的金属刮刀来清洁微波炉的炉门，防止表面被刮伤，造成玻璃损坏。
5. 清洁小贴士 —— 快速清除烹调食物遗留在腔壁的残渣：将半个柠檬放入碗中，加入 300 ml (1/2 品脱) 水，放入微波炉中，将微波炉功率开到最大，加热 10 分钟。用软干布将微波炉擦拭干净。

器皿

提醒

人身伤害危险

任何非专业人士擅自进行的任何维修或修理操作，均存在极大的危险，包括拆下防止微波能量泄露的防护盖。

请参阅“适用于微波炉加热或禁止用于微波炉加热的材料”的说明”。部分非金属器皿用微波炉加热可能存在安全隐患。如果有疑问，请按照以下的程序测试有疑问的器皿。

器皿测试：

1. 将 1 杯冷水 (250 ml) 和测试器皿一起装入微波炉专用容器。
2. 以最大功率加热 1 分钟。
3. 小心触摸器皿。如果空器皿是热的，则不可用于微波炉烹饪。
4. 烹饪时间不要超过 1 分钟。

器皿

适用于微波炉加热的材料

器皿	备注
褐变盘	请遵循制造商使用说明。褐变盘底部必须至少高出转盘 3/16 英寸 (5 mm)。使用不当可能导致转盘断裂。
整套餐具	仅限微波炉专用餐具。请遵循制造商使用说明。切勿使用有裂纹或缺口的碟子。
玻璃罐	切记拆下盖子。只可加热食物到温热状态。大多数玻璃罐不耐热，可能发生破裂。
玻璃器皿	仅限耐热微波炉玻璃器皿。确保没有金属边装饰。切勿使用有裂纹或缺口的碟子。
微波炉烹饪袋	请遵循制造商使用说明。请勿用金属扎带封闭。留出缝隙供蒸汽逸出。
纸盘和纸杯	仅用于短时烹饪/加热。烹饪时不要让微波炉处于无人看管状态。
纸巾	用于遮盖食物，以重新加热和吸收油脂。请在监督下使用，仅用于短时烹饪。
羊皮纸	用于遮盖食物以防止飞溅，或用于蒸煮食物的包装。
塑料	仅限微波炉专用餐具。请遵循制造商使用说明。应该贴上“微波安全”的标签。有些塑料容器会随着里面食物变热而变软。“煮沸袋”和密闭的塑料袋应按包装指示开缝、穿孔或放空。
保鲜膜	仅限微波炉专用餐具。用于在烹饪过程中遮盖食物以保持水分。不要让保鲜膜接触食物。
温度计	仅微波炉专用 (肉类和糖果温度计)。
蜡纸	用作遮盖，防止飞溅并保持水分。

禁止用于微波炉加热的材料

器皿	备注
铝托盘	可能会引起电弧。请将食物转移到微波炉专用的盘子里。
带金属把手的食品 纸盒	可能会引起电弧。请将食物转移到微波炉专用的盘子里。
金属或金属镶边器皿	金属可保护食物不受微波能量的影响。金属边可能会引起电弧。
金属扎带	可能会引起电弧并引起微波炉内起火。
纸袋	可能会引起微波炉内起火。
塑料泡沫	塑料泡沫暴露在高温下可能会熔化或污染里面的液体。
木材	木材在微波炉中使用时会变干，可能会裂开或爆裂。

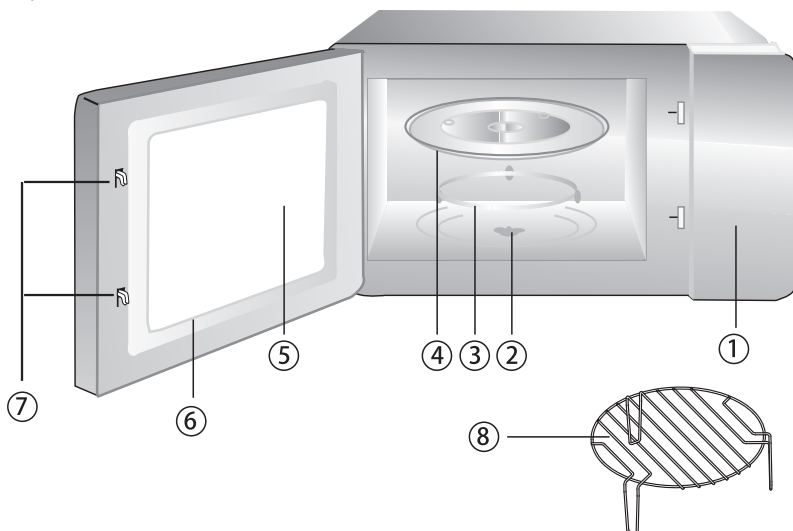
微波炉安装

微波炉零件及附件名称

从纸箱和炉腔中取出微波炉和所有材料。

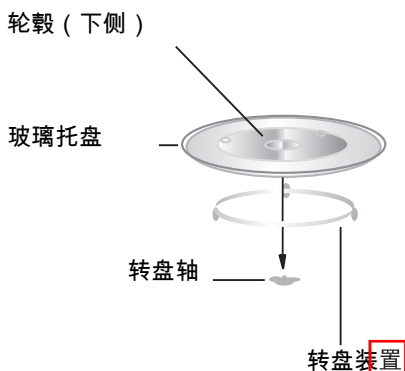
微波炉附带以下附件：

- | | |
|-------|---|
| 玻璃托盘 | 1 |
| 转盘装置 | 1 |
| 使用说明书 | 1 |



- | | | |
|----------|----------------------------|--------|
| 1.控制面板 | 2.转盘轴 | 3.转盘装置 |
| 4.玻璃托盘 | 5.观察窗 | 6.门装置 |
| 7.安全联锁系统 | 8.烤架 (不能用于微波功能, 必须放在玻璃托盘上) | |

转盘安装



- 切勿将玻璃托盘倒置。玻璃托盘放置应留有一定的空隙。
- 在烹饪过程中必须始终使用玻璃托盘和转盘装置。
- 所有食物和盛放食物的容器总是放在玻璃托盘上烹饪。
- 如果玻璃托盘或转盘装置破裂或断裂，请与最近的授权服务中心联系。

安装与电源连接

- 本产品仅供家庭使用。
- 本产品仅为嵌入式产品。本产品不适用于在工作台上使用或在橱柜内使用。
- 请遵守特殊安装说明。
- 本产品可以安装在宽为 60cm 的壁挂式橱窗上。
- 本产品带有一个插头，且只能与正确安装的接地插座连接。
- 电源电压必须与铭牌上规定的电压匹配。
- 必须安装好插座，连接电缆必须由专业电工更换。若插头在安装后无法触及，则必须在安装侧接触间隙 3mm 处安装一个全极断开装置。
- 不得使用适配器、多路电源板和伸长引线。超载可能导致火灾。

操作过程中，可触及的表面会发烫。



安装说明书

安装前，请仔细阅读本说明书

请注意：

电气接口

微波炉带有一个插头，且只能与正确安装的接地插座连接。必须安装好插座，连接电缆必须由专业电工更换，请按照合适的规定进行操作。

若插头在安装后无法触及，则必须在安装侧接触间隙 3mm 处安装一个全极断开装置。

本产品不得贴墙放置。

墙壁和上述底座之间必须保持距离。具体的间隙大小可参考图表。

最低安装高度：85cm。


不得覆盖通风槽和吸气孔。

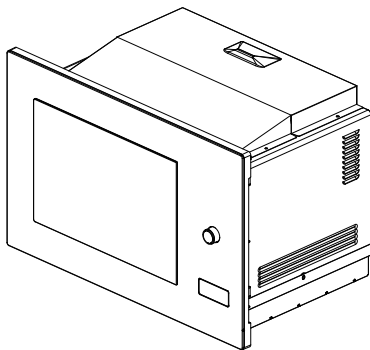
注意：

请勿缠绕或折弯电力电缆。

 螺钉

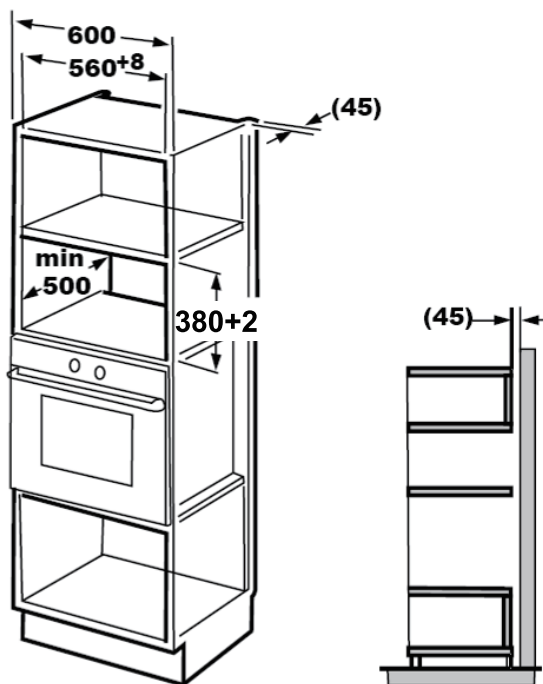
 安装板

 装饰套件塑料盖



安装说明书

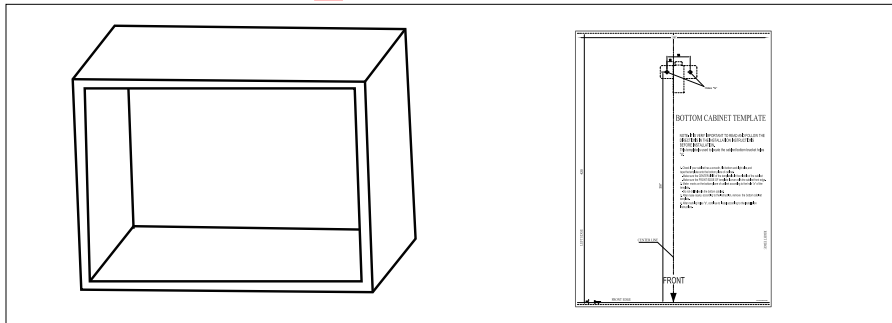
A. 嵌入式家具



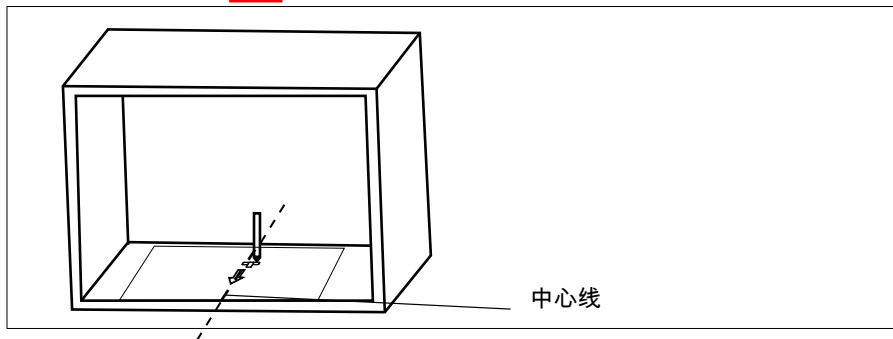
安装说明书

B. 准备柜子

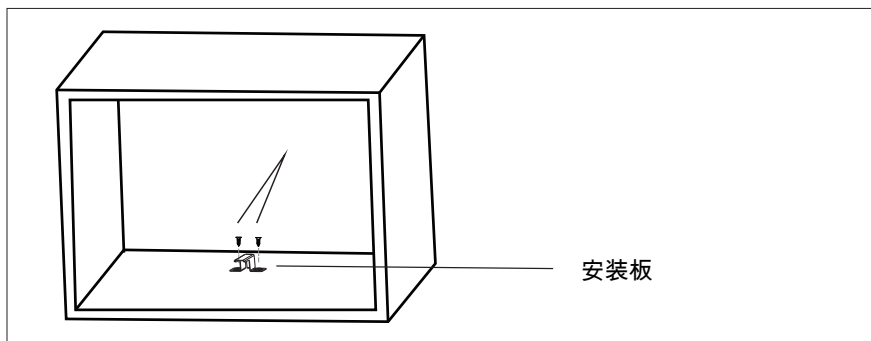
1. 阅读底柜模板上的说明，**将**模板放在柜底平面上。



2. 根据模板洞 a 的**位置**，在橱柜底平面上做标记。



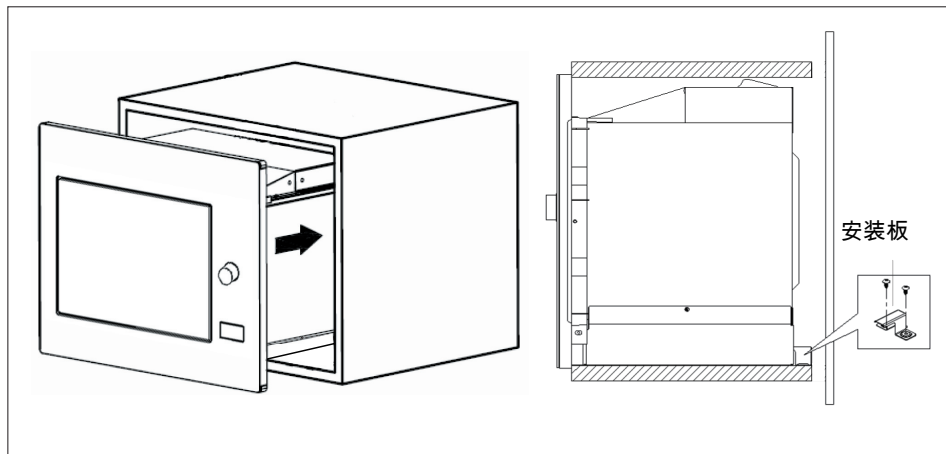
3. 拆下底柜模板，用螺丝固定安装板。



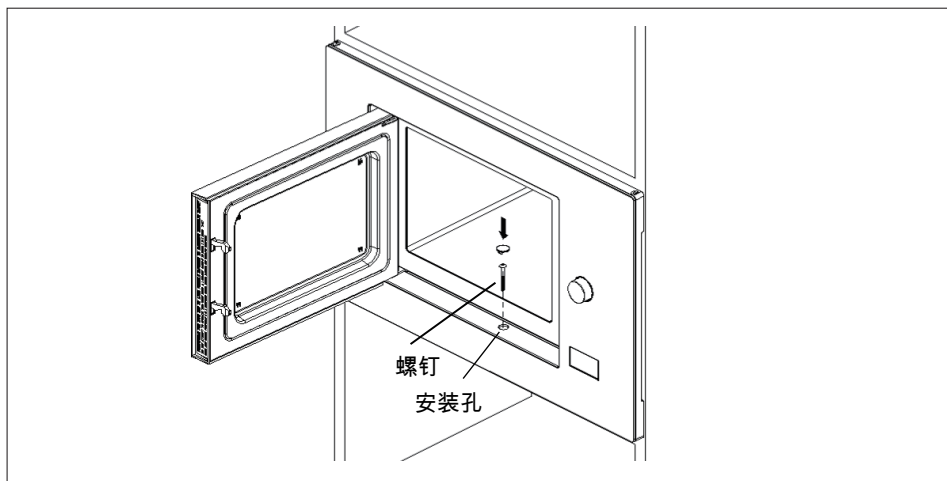
安装说明书

C. 安装微波炉

4. 将微波炉固定在橱柜上
- 确保安装板锁定微波炉背面。
 - 请勿缠绕或折弯电源线。



5. 打开炉门，将微波炉用安装孔上的螺钉固定在橱柜上。
然后将装饰套件塑料盖固定到安装孔上。







使用说明

本产品采用现代电子控制调节烹饪参数，更好满足客户的烹饪需求。

1. 时钟设置

微波炉通电后，显示器上显示“0:00”，蜂鸣器响 1 次。





- ① 按“Kitchen Timer/Clock”两次，小时数会闪烁。
- ② 按“或”调整小时数，输入时间应在 0-23 之间。
- ③ 按“Kitchen Timer/Clock”，分钟数会闪烁。
- ④ 按“或”调整分钟数，输入时间应在 0-59 之间。
- ⑤ 按“Kitchen Timer / Clock”完成时钟设置。“:.”会闪。

时钟设置完毕。

注意：① 若未设置时间，通电后则不起作用。

② 在时钟设置过程中，如果按“STOP/Clear”按钮，微波炉将自动恢复到以前的状态。

2. 微波烹饪

- ① 按一下“Micro./Grill/Combi.”键，会显示“P100”。
- ② 继续按“Micro./Grill/Combi.”键或按“”和“”选择 100%-10%的微波功率。按顺序显示“P100”、“P80”、“P50”、“P30”、“P10”。
- ③ 按“START/+30s/Confirm”进行确认。
- ④ 按“”或“”调整烹饪时间。（时间设置应为 0:05-95:00。）
- ⑤ 按“START/+30s/Confirm”开始烹饪。

注意：代码开关调整时间的步进量如下：





0-1min	:	5秒
1-5min	:	10秒
5-10min	:	30秒
10-30min	:	1min
30-95min	:	5min

微波功率图

微波功率	100%	80%	50%	30%	10%
显示	P100	P80	P50	P30	P10

使用说明

3. Grill/Combi.烹饪

按一次“Micro./Grill/Combi.”，屏幕会显示“P100”，继续按“Micro./Grill/Combi.”；或者按“”或“”选择想要的功率，屏幕上将会出现“G”、“C-1”或“C-2”。然后按“START/+30s/Confirm”确认，并按“”或“”设置0:05-95:00 之内的时间。

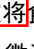
再次按“START/+30s/Confirm”开始烹饪。

例如：如果想用55%的微波功率和45%的烤制功率（C-1）烹饪10min，可按照以下步骤操作微波炉。

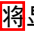


- ① 按一下“Micro./Grill/Combi.”，屏幕会显示“P100”。
- ② 继续按“Micro./Grill/Combi.”，直到屏幕显示“C-1”。
- ③ 按“START/+30s/Confirm”进行确认。
- ④ 按“”或“”调整烹饪时间，直到微波炉显示“10:00”。
- ⑤ 按“START/+30s/Confirm”开始烹饪。

组合电源指示：

程序	显示	微波功率	烤架功率
烧烤	G	0%	100%
组合 1	C-1	55%	45%
组合 2	C-2	36%	64%



注意：如果烤制时间过了一半，微波炉会发出两次声音，这属于正常现象。为了更好的烤制效果，应将食物翻过来，关上微波炉门，然后按“START/+30s/Confirm”继续烹饪。如果未进行操作，微波炉则会继续工作。

4. 按重量解冻



- ① 按“Weight/Time Defrost”一次，屏幕显示“dEF1”。
- ② 按“”或“”选择食物重量。重量范围为 100-2000g。
- ③ 按“START/+30s/Confirm”键开始解冻。

使用说明

5. 按时间解冻




- ① 按“Weight/Time Defrost”两次，屏幕将显示“dEF2”。
- ② 按“或”选择烹饪时间。最长时间为 95min。
- ③ 按“START/+30s/Confirm”键开始解冻。

6. 厨房计时器


- ① 按一下“Kitchen Timer/Clock”，屏幕会显示 00:00。
- ② 按“或”输入正确的计时器。(最长烹饪时间为 95min。)
- ③ 按“START/+30s/Confirm”确认设置。
- ④ 当达到厨房时间时，计时器指示灯会熄灭。蜂鸣器会响 5 次。如果已经设置好时间(24 小时制)，屏幕上会显示当前时间。

注意：厨房时间不同于 24 小时制。厨房计时器是计时器。

7. 自动菜单

- ① 在等待状态下，按“”，可选择从“A1”到“A8”的菜单。
- ② 按“START/+30s/Confirm”确认选择的菜单。
- ③ 按“或”选择食物重量。
- ④ 按“START/+30s/Confirm”开始烹饪。

8. 快速烹饪

- ① 在等待状态下，按“START/+30s/Confirm”，以 100% 的功率烹饪 30 秒。每次按同一个按键可以增加 30 秒。最长烹饪时间为 95min。
- ② 在微波、烧烤、组合烹饪和按时间解冻过程中，按“START/+30s/Confirm”增加烹饪时间。
- ③ 在自动菜单、多段烹饪和按重解冻的状态下，按“START/+30s/Confirm”无法增加烹饪时间。
- ④ 在待机状态下，按“”选择烹饪时间。然后按“START/+30s/Confirm”，以 100% 的功率开始烹饪。这是设置多段烹饪的第一阶段。

使用说明

菜单图表：

菜单	重量	显示
A1 披萨	200g	200
	400g	400
A2 肉	250g	250
	350g	350
	450g	450
A3 蔬菜	200g	200
	300g	300
	400g	400
A4 意大利面	50g (配 450g 冷水)	50
	100g (配 800g 冷水)	100
A5 土豆	200g	200
	400g	400
	600g	600
A6 鱼	250g	250
	350g	350
	450g	450
A7 饮料	1 杯 (120 ml)	1
	2 杯 (240 ml)	2
	3 杯 (360 ml)	3
A8 爆米花	50g	50
	100g	100





使用说明

9. 多段烹饪

最多可设置两个阶段。如果其中一个阶段是解冻，则应放在第一个阶段。每一阶段结束后蜂鸣器会响 1 次，之后开始下一阶段。

注意：不能将“自动菜单”设置为多个阶段。

例如：如果想把食物解冻 5min，然后用 80% 的微波功率煮 7min。步骤如下：

- ① 按两次“Weight/Time Defrost”，屏幕会显示“dEF2”。
- ② 按“或或或者

10. 儿童锁定功能

锁定：在等待状态下，长按“STOP/Clear”3 秒，会出现一阵提示进入童锁状态的“哔哔”声。若设置了时间，则当前的时间会显示出来，否则屏幕上会显示“0:00”。

锁定退出：在锁定状态下，按“STOP/Clear”3 秒，会出现提示解除锁定的“哔哔”声。

11. 查询功能

- ① 在微波、烧烤或组合式烹饪状态下，按“Micro./Grill/Combi.”，当前功率将显示 2-3 秒。
- ② 在烹饪状态下，按“Kitchen Timer/Clock”查看当前时间。

使用说明


12. 规格说明

- ① 如果在烹饪过程中打开微波炉门，则必须按“START/+30s/Confirm”才能继续烹饪；
- ② 设置烹饪程序后，5min 内未按“START/+30s/Confirm”。将显示当前时间。取消该设置。
- ③ 有效按下蜂鸣器响 1 次，未有效按下则无应答。

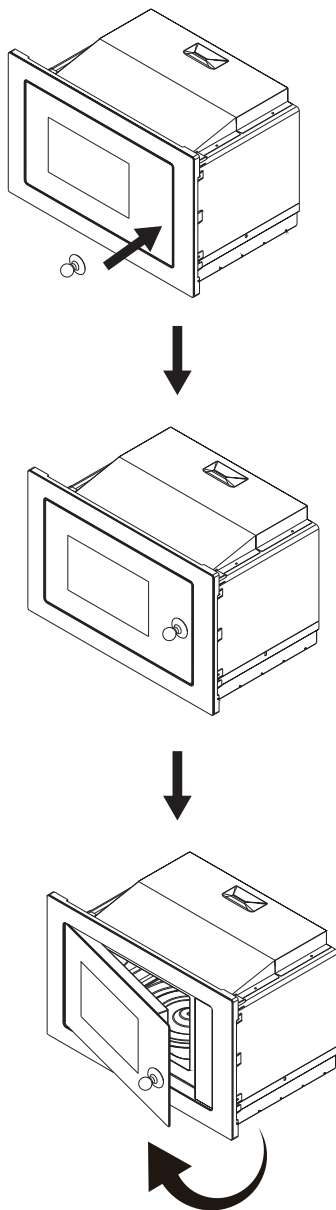
13. 炉灯

烹饪结束后，炉门关闭，炉灯便会熄灭。若炉门打开的时间超过 10 分钟，则炉灯会自动熄灭。

14. 打开微波炉门

按“”按钮，将打开微波炉门。如果按下按钮无反应，请用吸盘打开微波炉门。

参考下图：



故障排除

正常	
微波炉干扰电视信号接收	微波炉操作时，可能会干扰无线电和电视信号接收。这种干扰类似于小型电气设备的干扰，如搅拌机、吸尘器、电风扇。 这属于正常情况。
微波炉灯光暗淡	在低功率微波烹饪中，微波炉灯光可能会变暗。这属于正常情况。
蒸汽积聚在炉门上，热空气从通风口流出	在烹饪中，蒸汽可能会从食物中冒出来。大部分（蒸汽）会从通风口出来。但也有一些会积聚在阴凉处，如微波炉门。这属于正常情况。
在没有食物的情况下，不小心启动了微波炉。	禁止在内部没有任何食物的情况下运行设备。这种操作非常危险。

故障	可能原因	解决方法
微波炉无法启动。	(1) 电源线没有插紧。	断电。那么 10 秒后重新插上（电源线）。
	(2) 保险丝烧断或断路器运作。	更换保险丝或复位断路器（由本公司专业人员维修）
	(3) 插座故障。	使用其他电器设备测试插座。
微波炉无法加热。	(4) 炉门没关好。	关好炉门。



根据《报废电子电气设备指令》，电子废弃物应单独收集和处理。若以后需要处理本产品，请勿将其与生活垃圾一起处理。请将本产品送到可用的电子废弃物收集点。

版本:A/1

ROBAM